



“Separates, Traps and removes your waste grease, protecting your business and meeting legal requirements!!”

“AUTOMATIC and WIDELY use by many international fast-food & hotel chains”

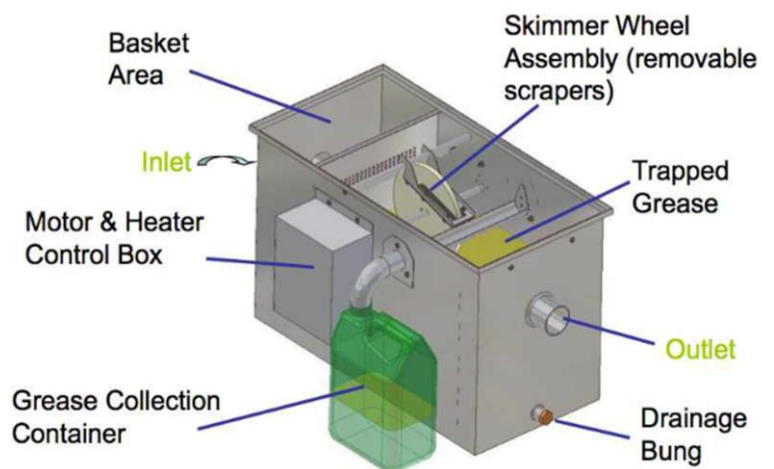
Full stainless steel (SUS304)
Continuous Automatic Grease
Removal System



Features:

- 0 to 80°c thermostat
- 1200W heating element
- 24V DC
- 5 Litre oil container
- Special proprietary oil removal

Product Specification



All rights reserved. No part of this publication, without the prior written permission of the publisher

PRODUCT SPECIFICATIONS

Model	FLOW RATE	BASKET CAPACITY	BASKET HEIGHT	INLET/ OUTLET	GREASE CONTAINER VOLUME	SKIMMING WHEEL
FB125	1.24 L/S	4 LITERS	15 CM.	50	5LITRES	1
FB225	2.25 L/S	8 LITERS	15 CM.	100	8LITRES	2

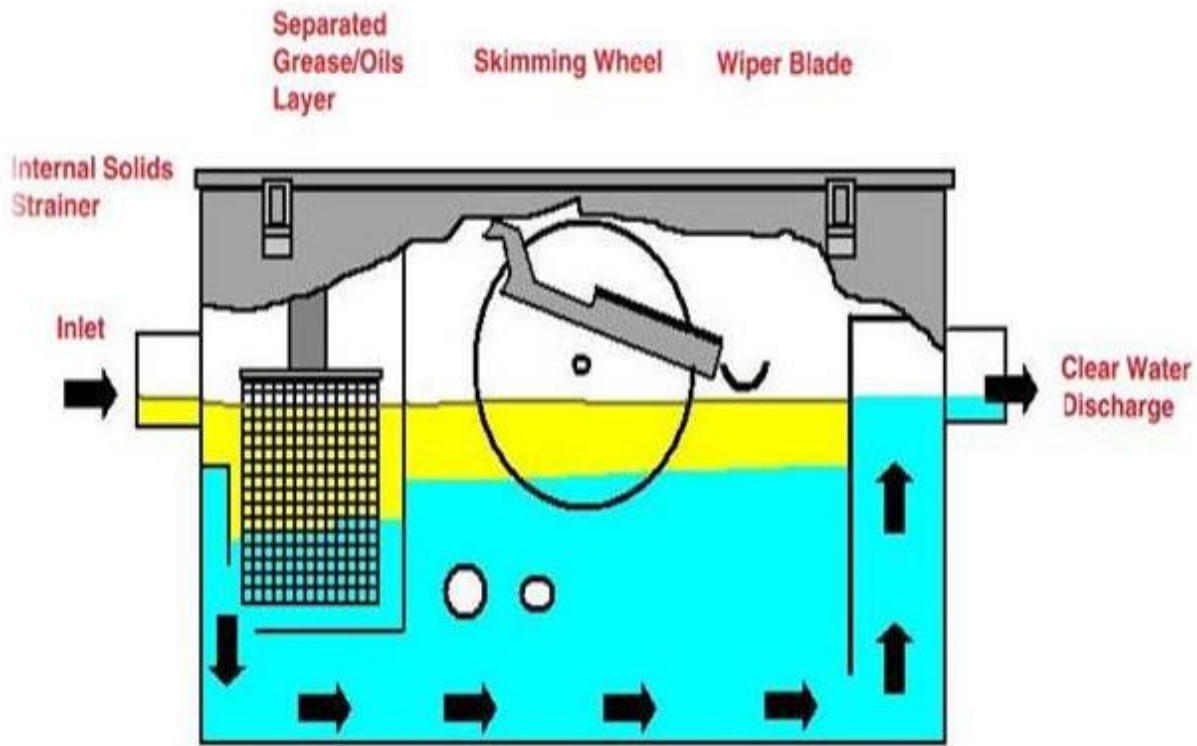
Model	HEIGHT	WIDTH INCL. CONTAINER	WIDTH OF TANK	INLET HEIGHT	LENGHT	OUTLET HEIGHT
FB125	45 CM.	48 CM.	32 CM.	31 CM.	71.5 CM.	30 CM.
FB225	45.8 CM.	48 CM.	35 CM.	38.5 CM.	86.5 CM	33.5 CM.



All rights reserved. No part of this publication, without the prior written permission of the publisher



สำนักงานสมุทรสาคร
 89/300 หมู่บ้านสารินชิตี ต.โคกขาม อ.เมือง สมุทรสาคร 74000
โทรศัพท์ : 091 402 1013 / 089 4035501
 โทรสาร : 034 451167
 email : wanchai.bkg@gmail.com



Waste water

containing fats, oils and grease enters the FatBusta,
where larger solid waste is strained in a removable basket.

2 Grease trapped

Grease separates from the cleaner water and rises to the surface
where it is trapped in the main chamber.

3 Fat skimmed away

The trapped fats, oils and grease are heated and then skimmed out into a container.

4 Clean waters seperated

The clean water continues under the outlet baffle and down the drain.

All rights reserved. No part of this publication, without the prior written permission of the publisher



สำนักงานสมุทรศาสตร์

89/300 หมู่บ้านสารินชิตี ต.โคกขาม อ.เมือง สมุทรศาสตร์ 74000

โทรศัพท์ : 091 402 1013 / 089 4035501

โทรสาร : 034 451167

email : wanchai.bkg@gmail.com

